

**Installationsvejledning
Montageanweisung
Installation instruction
Instructions d'installation
Istruzioni di installazione
Installatie- -instructies
Instrucciones de instalación
Asennusohjeet**

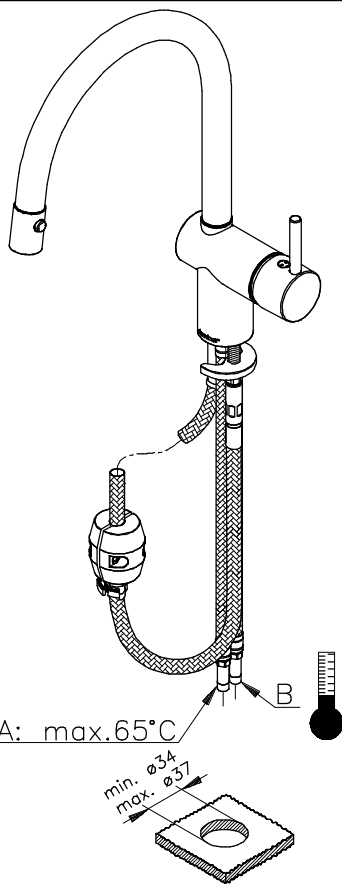
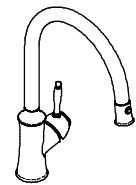
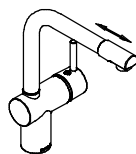
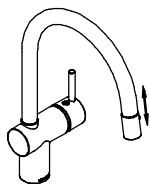
damixa™

Østbirkvej 2, 5240 Odense NØ, Denmark
Tel. +45 63 102 210
E-mail: damixa@fmm-mora.com
Homepage: www.damixa.com

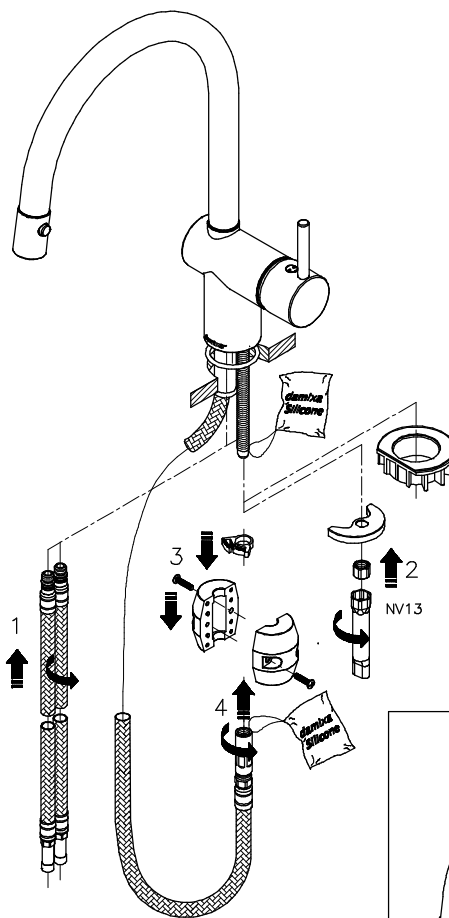
Инструкция по установке

02.16

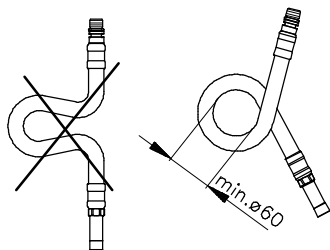
20123.00



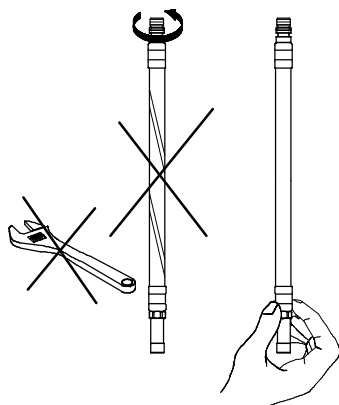
A A,B: 50–1000 kPa (0.5–10 bar)



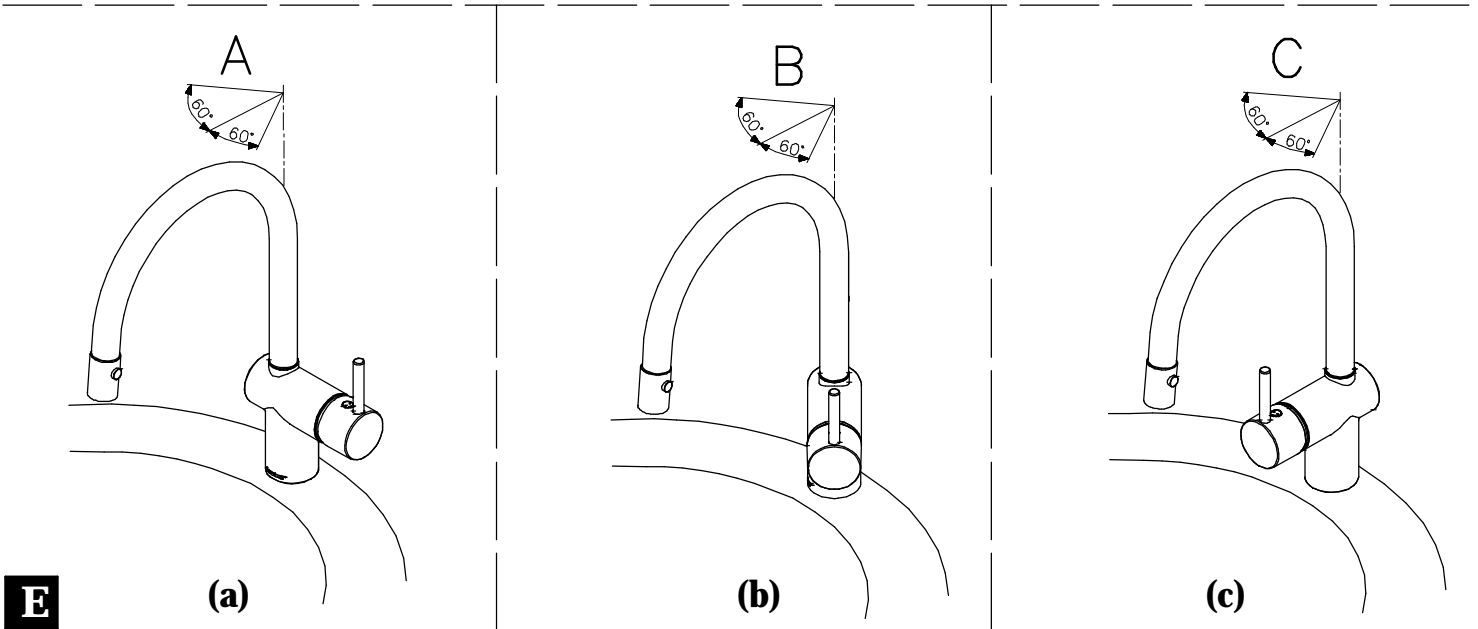
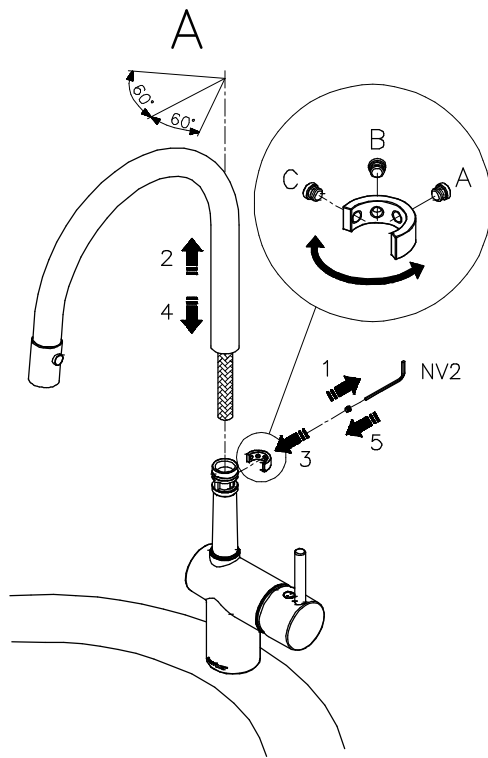
B



C



D

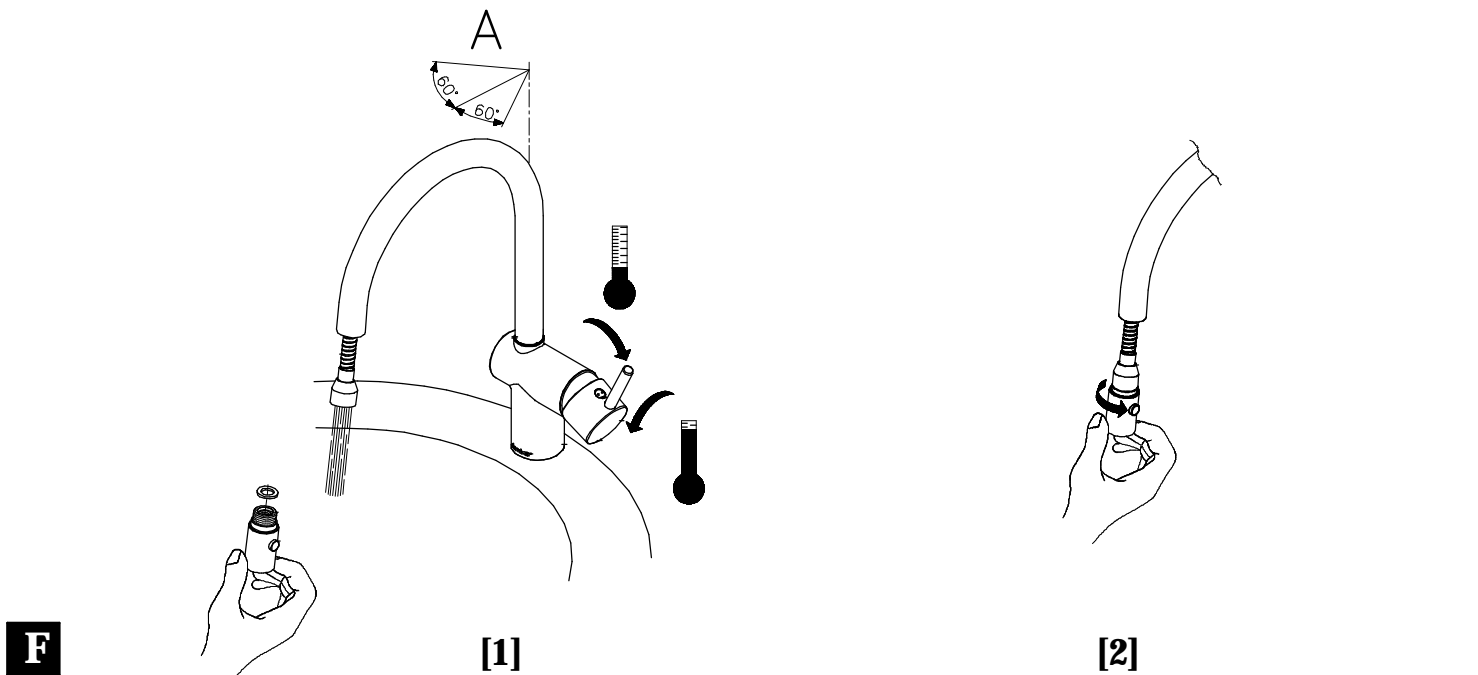


E

(a)

(b)

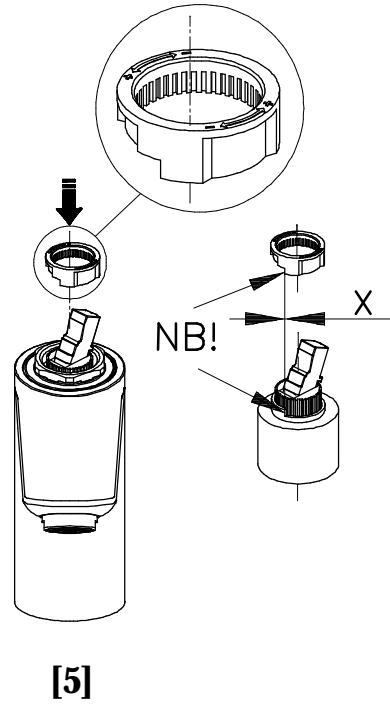
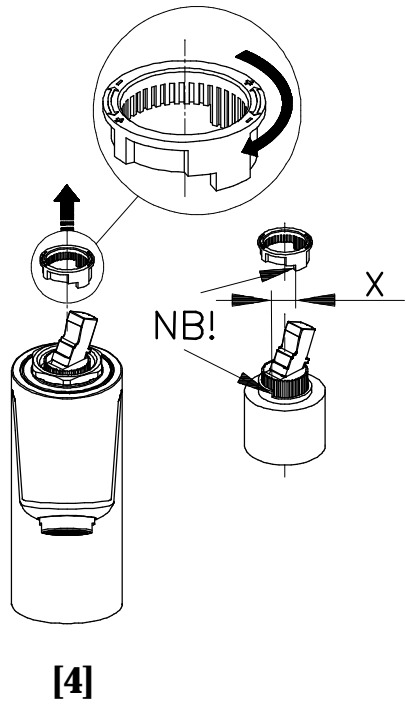
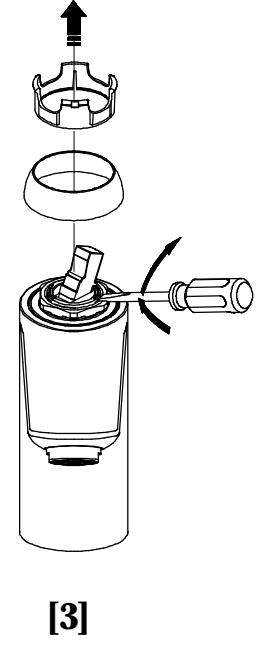
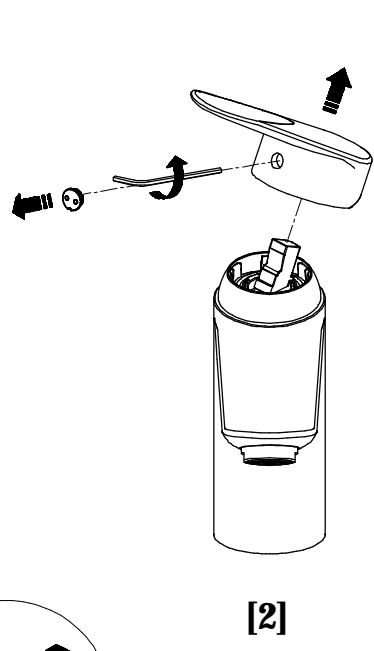
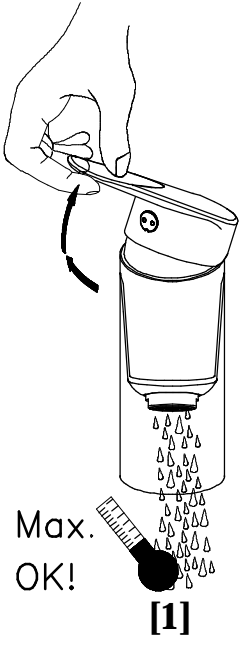
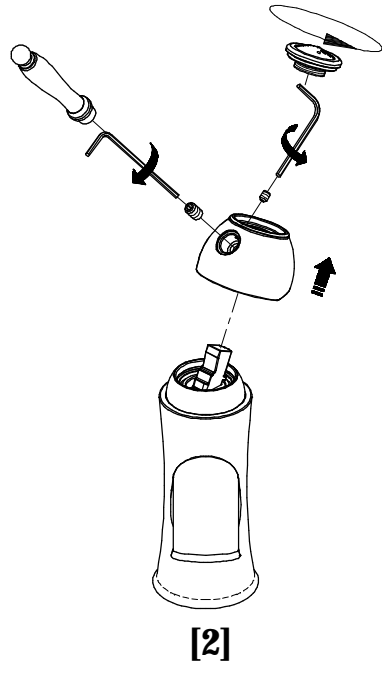
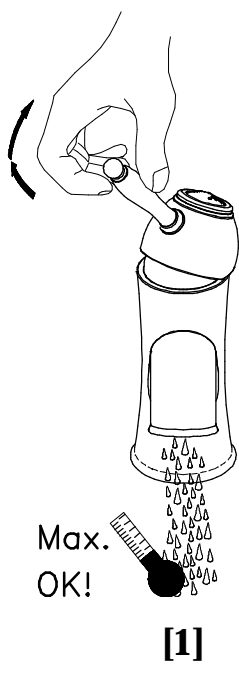
(c)



F

[1]

[2]



G

